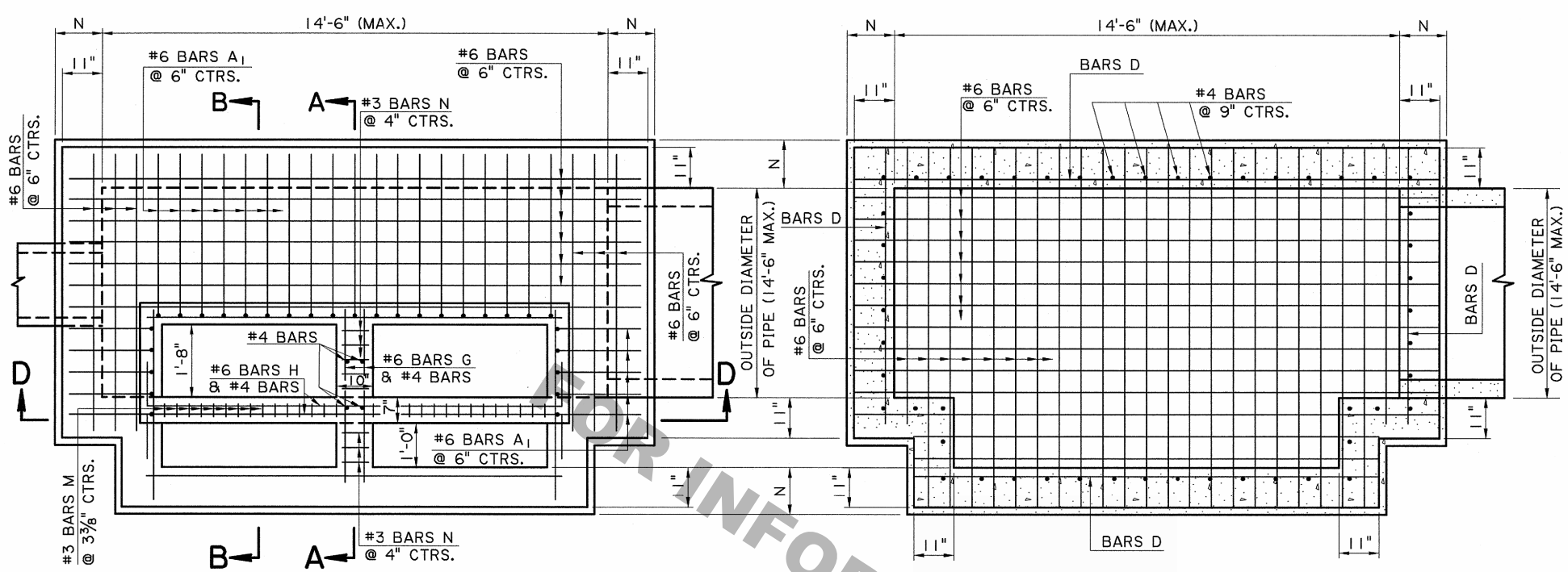




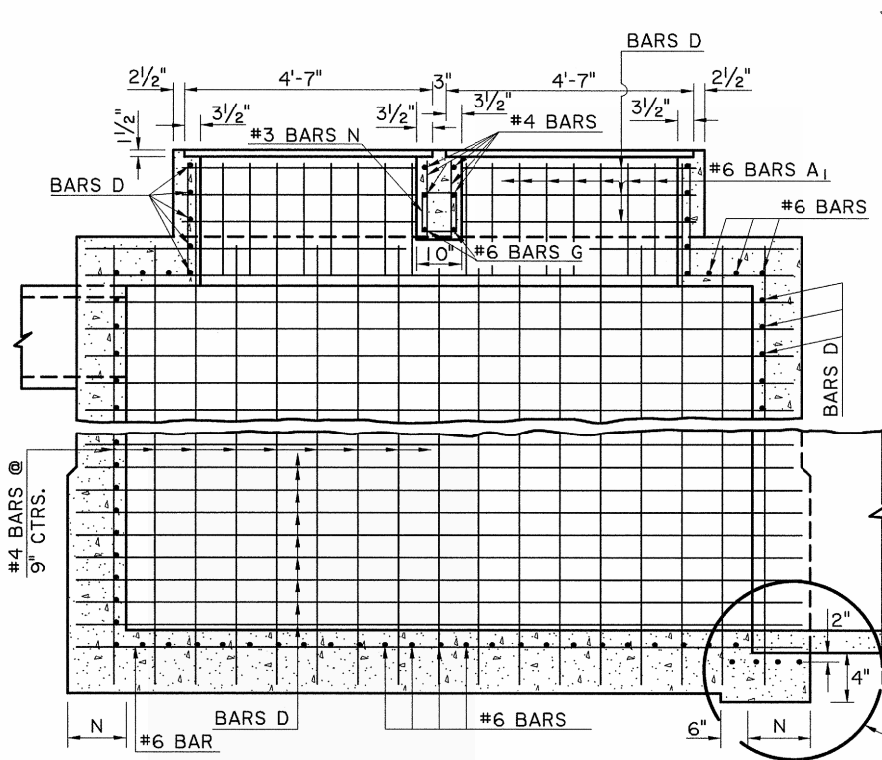
- GENERAL NOTES:
- CATCH BASIN IS DESIGNED ACCORDING TO 4TH ED. 2007 AASHTO LRFD PROCEDURES. SECTION 702 OF THE DOTD STANDARD SPECIFICATIONS SHALL APPLY.
 - CONCRETE: ALL CONCRETE SHALL BE CLASS "M" MINOR STRUCTURE. ALL EXPOSED EDGES SHALL BE CHAMFERED 3/4 IN. EXCEPT AS NOTED.
 - REINFORCING STEEL: REINFORCING STEEL SHALL BE GRADE 60. DIMENSIONS ARE TO BAR CENTERS. MINIMUM COVER FOR REINFORCING BARS SHALL BE 2 IN. CLEAR UNLESS SHOWN OTHERWISE.
 - AS DEPTH INCREASES THE WALL AND SLAB THICKNESSES AND REINFORCEMENT SHOULD BE INCREASED AS SHOWN IN THE TABLE BELOW. THE CONTRACTOR HAS THE OPTION TO PROVIDE THE MAXIMUM REQUIRED WALL THICKNESS FOR THE FULL DEPTH OF THE STRUCTURE.

DEPTH RANGE	WALLS	
	N IN. SIZE	D BARS SPAC., IN.
0' TO 13'	11.0	6
13'-1" TO 15'	12.0	6
15'-1" TO 20'	13.0	6

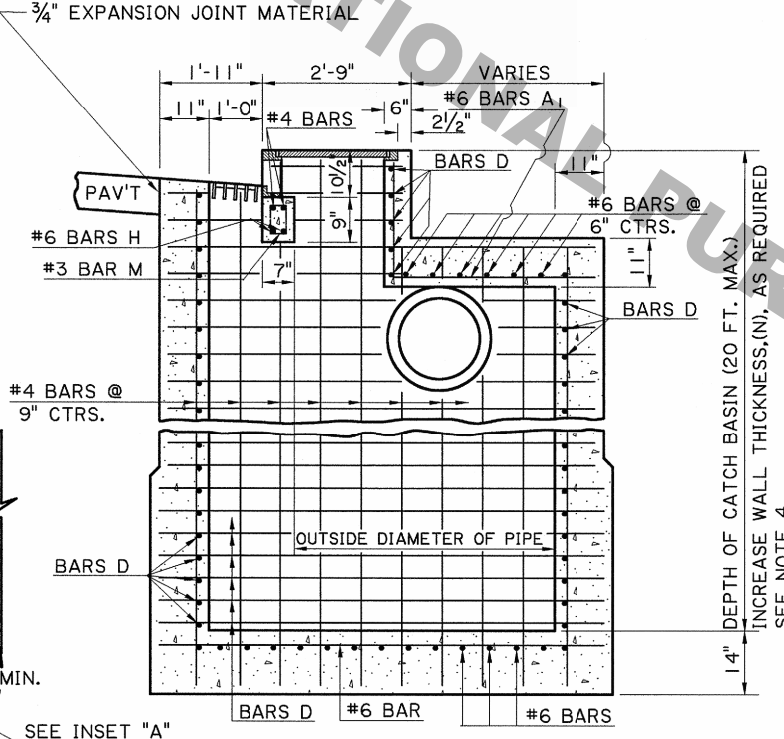


PLAN
(SHOWING REINFORCING IN TOP SLAB)

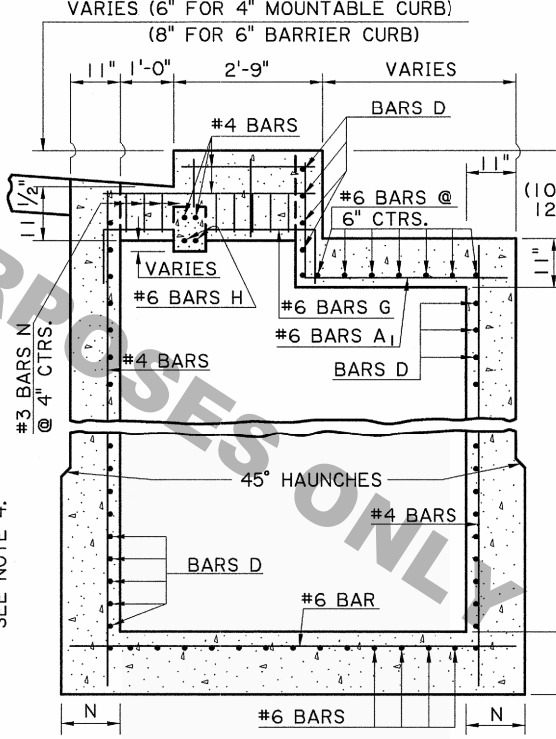
SECTIONAL PLAN
(SHOWING REINFORCING IN BOTTOM SLAB AND WALLS)



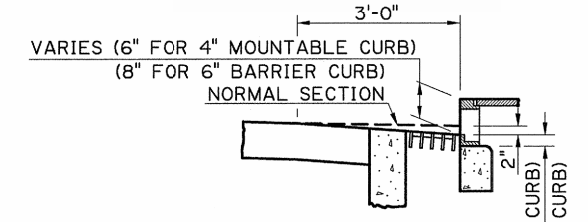
SECTION D-D



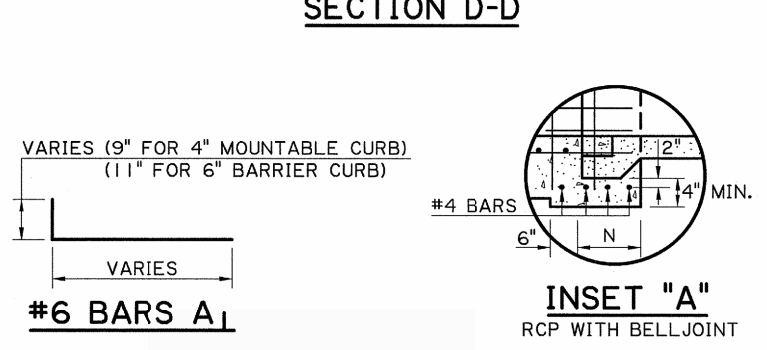
SECTION B-B



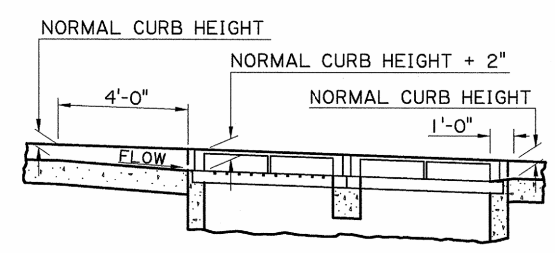
SECTION A-A
SHOWING MOUNTABLE CURB



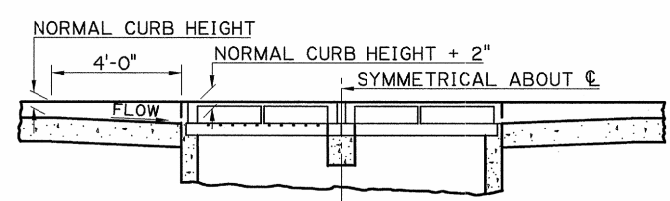
SECTION
(SHOWING PAVEMENT SUMP TYPICAL)



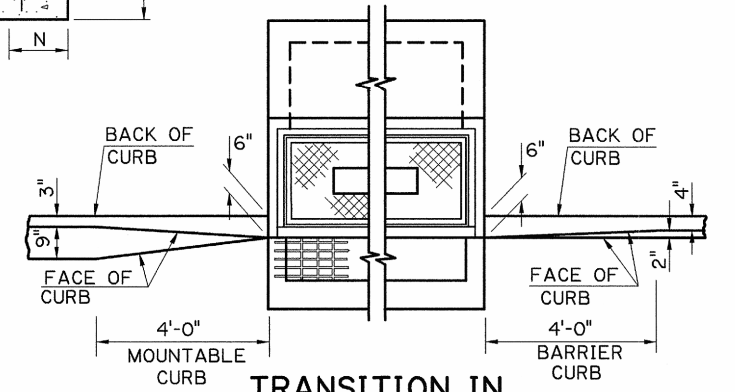
INSET "A"
RCP WITH BELLJOINT



TRANSITION IN CURB HEIGHT
CATCH BASIN ON A GRADE



TRANSITION IN CURB HEIGHT
CATCH BASIN AT LOW POINT



TRANSITION IN CURB WIDTH
(TYPICAL)

SHEET NUMBER

DESIGNED: WMR
CHECKED: WMR

DATE: 11-1-93
SHEET: 1 OF 1

PARISH: WMR
FEDERAL PROJECT: KAJ
STATE PROJECT: WMR

REVISION DESCRIPTION

4	6-7-11	Redrafted, Rev. to 2007 LRFD Proc., 20' Depth	WMR
3	5-11-04	Rev. Sheet Border, Dimensions	JDK
2	8-24-99	Changed depth of basin from 9' to 12' Max.	WMR
1	3-23-98	Scanned original and added name CB-SD08	JCM

CONCRETE CATCH BASIN
DOUBLE COMBINATION TYPE
Max. Pipes: 14'-6" X 14'-6"
Max. Depth: 20'

HYDRAULICS SECTION